

# CR Compression System

## Swinghandle actuator

### Features

- Consistent compression
- Adjustable grip
- Meets NEMA 4 / IP66 and EMI standards

### Material

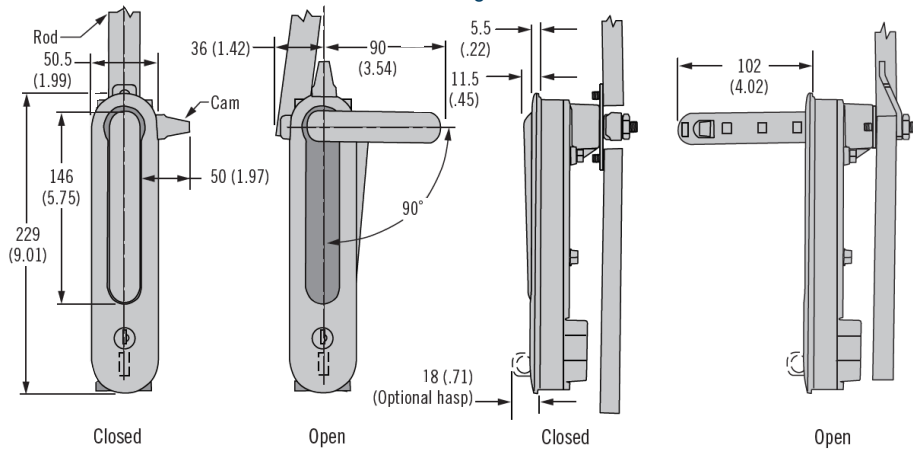
- Handle actuator: Zinc alloy black powder coated
- Mounting hardware: Acetal black, stainless steel and brass

### Product Performance

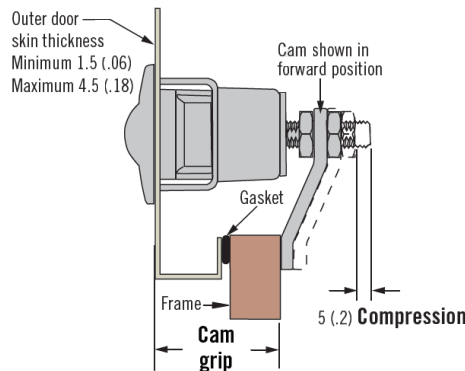
- Maximum static load: 500 N per latch point
- Average ultimate load: 1,400 N

### Notes

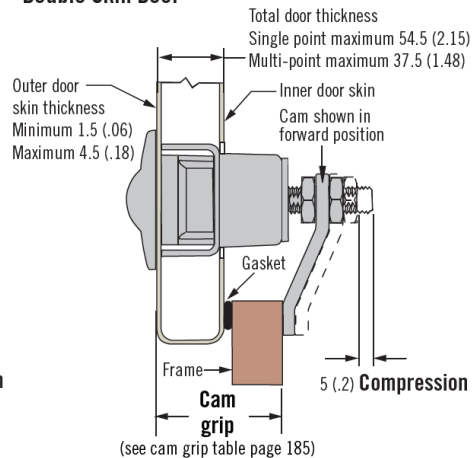
- Complete system comprises (all sold separately):
  - Actuator
  - Cam
  - Rod end
  - Rods
  - Rod guide



### Single Skin Door



### Double Skin Door



**CR - 19 - L - R 5**

- |  |                         |
|--|-------------------------|
| <b>L</b> Lock style  | <b>R</b> Rotation       |
| 11 Key-locking keyed alike CH751 (2 keys supplied)                 | 1 Universal 180°        |
| 21 Keylocking keyed alike CH751 (2 keys supplied) and padlock hasp | 2 Counter-clockwise 90° |
| 32 DIN 18354 profile keyed alike 347876 (3 keys supplied)          | 3 Clockwise 90°         |
| 44 Bellcore electronics  |                         |
| 45 Bellcore 216  |                         |
| 54 Bellcore electronics and padlock hasp                           |                         |
| 55 Bellcore 216 and padlock hasp                                   |                         |

# CR Compression System

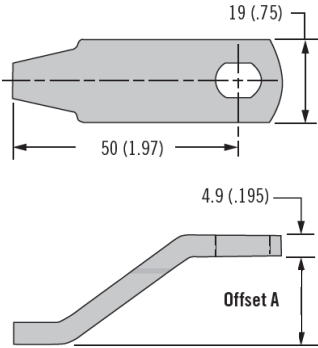
## Cam

### Material

- Stainless steel

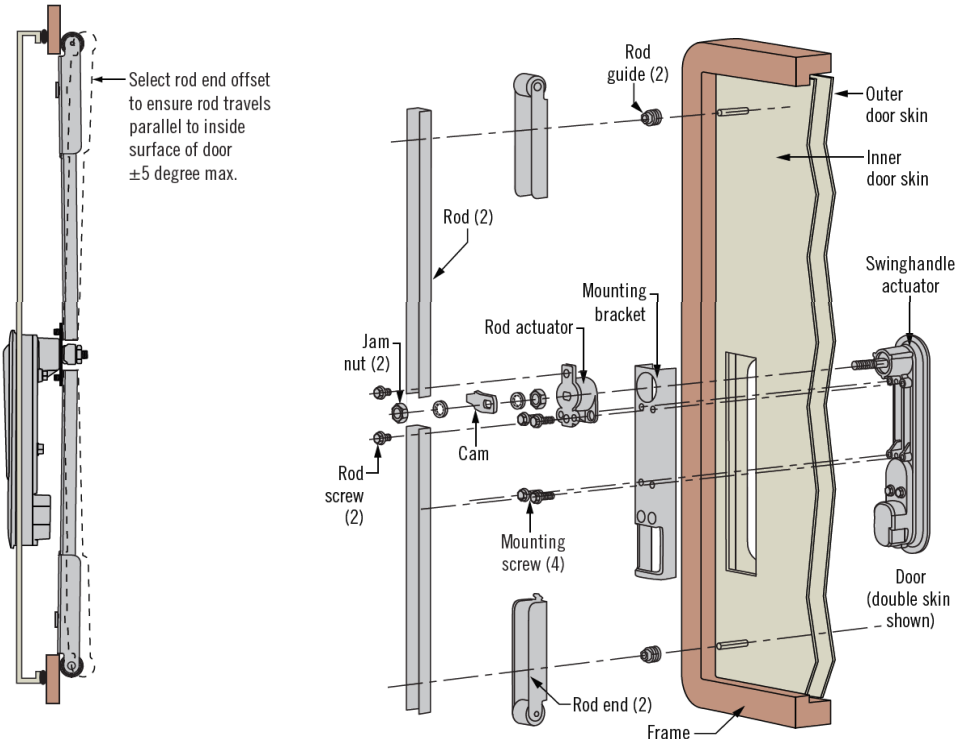


### Cam



Cam Part Number	Offset A	Cam Grip Range	
		Cam Forward	Cam Reversed
CR-846-1000-24	0 (0.0)	56.5 - 62 (2.23 - 2.44)	
CR-846-1005-24	5 (.20)	51.5 - 57 (2.03 - 2.25)	61.5 - 67 (2.42 - 2.64)
CR-846-1010-24	10 (.39)	46.5 - 52 (1.83 - 2.05)	66.5 - 72 (2.62 - 2.84)
CR-846-1015-24	15 (.59)	41.5 - 47 (1.64 - 1.85)	71.5 - 77 (2.82 - 3.03)
CR-846-1020-24	20 (.79)	36.5 - 42 (1.44 - 1.66)	76.5 - 82 (3.01 - 3.23)
CR-846-1025-24	25 (.98)	31.5 - 37 (1.24 - 1.46)	81.5 - 87 (3.21 - 3.43)
CR-846-1030-24	30 (1.18)	26.5 - 32 (1.05 - 1.26)	86.5 - 92 (3.41 - 3.62)
CR-846-1035-24	35 (1.38)	21.5 - 27 (.85 - 1.07)	91.5 - 97 (3.60 - 3.82)
CR-846-1040-24	40 (1.58)	16.5 - 22 (.65 - .87)	96.5 - 102 (3.80 - 4.02)
CR-846-1045-24	45 (1.77)	11.5 - 17 (.46 - .67)	101.5 - 107 (3.99 - 4.22)
CR-846-1050-24	50 (1.97)	6.5 - 12 (.26 - .47)	106.5 - 112 (4.19 - 4.41)

### Assembly



## CR Compression System

Rod end · Rod · Rod guide · Installation

### Material

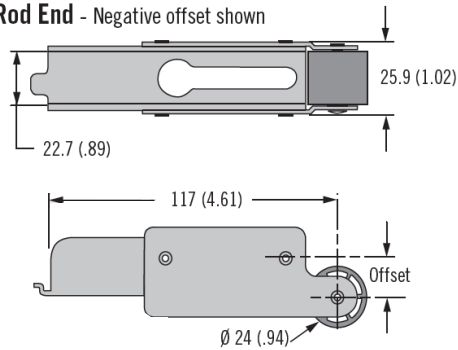
- Rod end: Stainless steel and nylon, black
- Rod: Aluminum
- Rod guide: Brass

### Notes

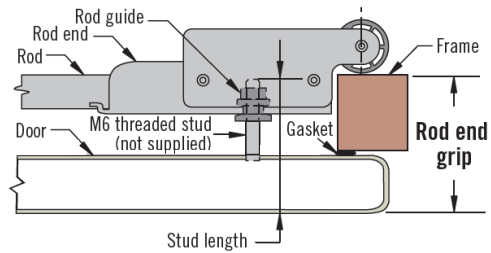
- Rod end: When more than one rod end fits desired rod end grip range select the part number with the lowest offset value
- Rod: Sold separately without mounting hole, in standard length of 1,000. Rod will need to be cut to desired lengths and mounting holes  $\varnothing$  8.5 drilled. Minimum 300, Maximum 1,000
- Rod guide: M6 thread with prevailing torque for vibration resistance



Rod End - Negative offset shown



Positive offset shown

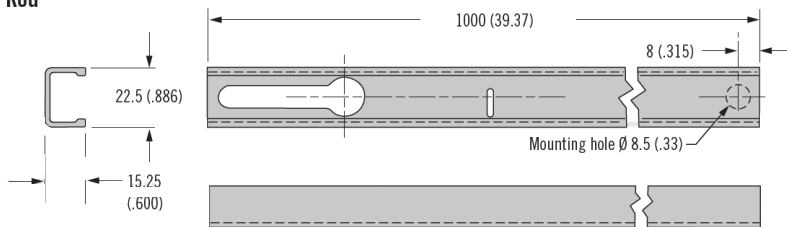


Rod End Grip when used with 1000 (39.37) rod	Offset	Formula for Stud Length $\frac{+25}{0} \left( \frac{-1}{0} \right)$ Distance from front of door to the end of the threaded stud (not supplied)	Rod End Part Number
40 (1.57) Min. to 124 (4.88) Max.	+30 (1.18)	Rod end grip -16.5 (.65)	CR-51-30-24
25 (.98) Min. to 109 (4.29) Max.	+15 (.59)	Rod end grip -1.5 (.06)	CR-51-15-24
10 (.39) Min. to 94 (3.70) Max.	0 (0)	Rod end grip +13.5 (.53)	CR-50-01-24
5 (.20) Min. to 79 (3.11) Max.	-15 (.59)	Rod end grip +28.5 (1.12)	CR-52-15-24
5 (.20) Min. to 64 (2.52) Max.	-30 (1.18)	Rod end grip +43.5 (1.71)	CR-52-30-24

### Example:

Rod end grip = 40 (1.57)  
Rod end offset = +15 (.59)  
Stud Length = 40 (1.57) - 1.5 (.06) = 38.5 (1.51)

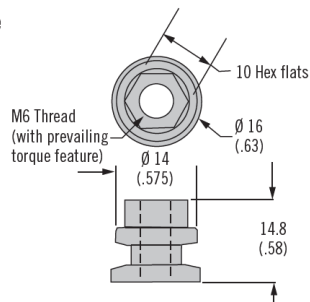
### Rod



### Rod Part Number

CR-64-1000-50

### Rod Guide

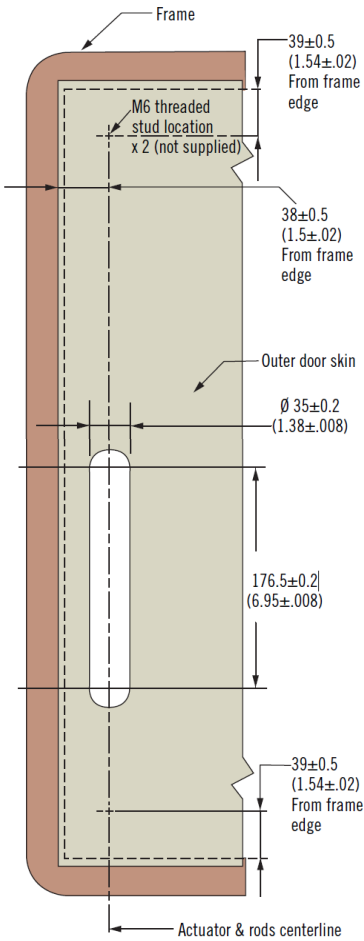


### Rod Guide Part Number

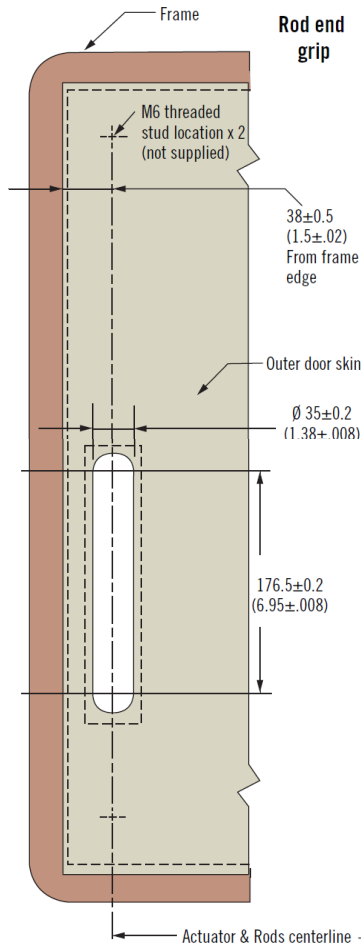
CR-843-01-26

Installation

Single Skin Door View From Front



Double Skin Door View From Front



View From Rear

